

## Features

### Quick Connect 10" (EQ-11-TL) & 14" (EQ-12-TL) Water Quality Systems

- Provides 4,800 gallons @ 1.5 gpm (10") or 12,600 gallons @ 1.67 gpm (14") for superior sediment, taste/odor and chlorine reduction.
- Can be mounted in any position: has quick change filter head for easy cartridge replacement.
- Auto shut-off
- 5 micron graded density filtration for 10" and 1 micron graded density filtration for 14".
- Perfect for beverage systems with a medium sized brewer (up to 50 lbs. of coffee/week).
- Provides six months of scale reduction and protects equipment from corrosion.
- Designed for minimum purge after cartridge charge.
- Single purpose cartridges also available for treatment of problems with taste and odor (T), lime scale (L), hardness (H) and sediment filtration (S).



*Model EQ-11-TL & EQ-12-TL  
Water Quality Systems*

## Related Products

For current specification sheets and other information, go to [www.bunnomatic.com](http://www.bunnomatic.com).

**Warranty:** BUNN warrants the Easy Clear® hardware (excluding cartridges) to be free from defects in materials and workmanship for 1 year from the date of installation. See service manual for complete warranty statement.



System Tested and Certified by NSF International against ANSI/NSF Standard 42 for the reduction of sediment, taste/odor, and chlorine.

**Gauge Kit for Quick Connect systems**  
Product No. : 30236.1000



ITEM#

PROJECT

DATE

## Model

*EQ-11-TL &  
EQ-12-TL Water  
Quality System*

## BUNN®

**Corporate Offices**  
1400 Stevenson Drive  
Springfield, Illinois 62703  
**Phone**  
800-637-8606  
217-529-6601  
**Fax**  
217-529-6644  
**Technical Services**  
800-286-6070  
**Internet**  
<http://www.bunnomatic.com>

**Western Regional Office**  
16431 Carmenita Road,  
Cerritos, California 90701  
**Phone**  
562-926-0764  
**Fax**  
562-926-0858

**Canadian Office**  
280 Industrial Parkway South  
Aurora, Ontario, L4G 3T9  
**Phone**  
905-841-2866  
**Fax**  
905-841-2775

BUNN® practices continuous product research and improvement. We reserve the right to change specifications and product design without notice. Such revisions do not entitle the buyer to corresponding changes, improvements, additions or replacements for previously purchased equipment.

**Patents  
Apply**

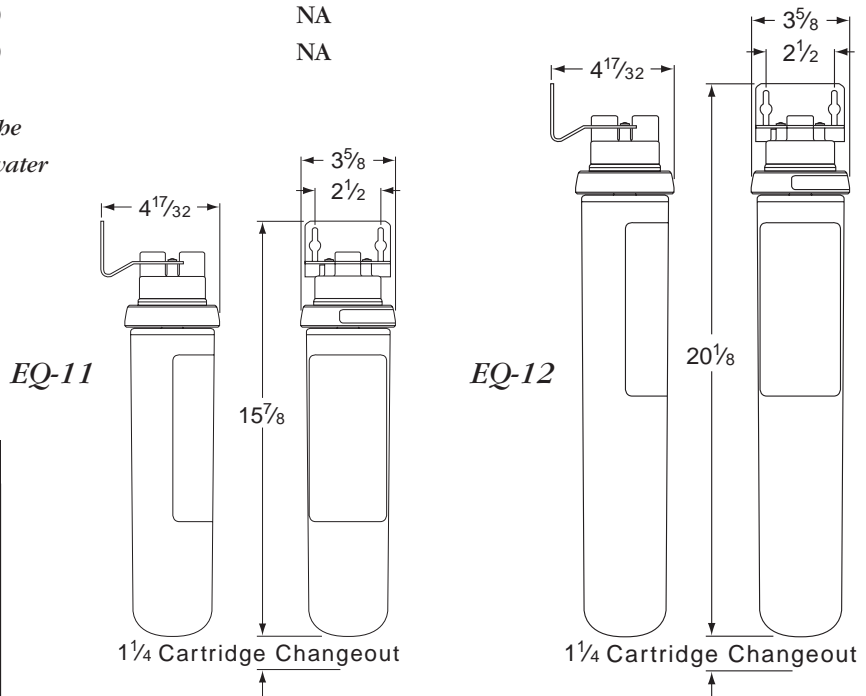


## Dimensions & Specifications

Model	Product #	Flow Rate & Capacity	Chlorine	Taste	Scale	Sediment	Softener
<b>Multipurpose Systems</b>							
EQ-11-TL	30344.1001	1.5 gpm/4,800 gals.	•	•	•	•	
EQ-12-TL	30345.1001	1.67 gpm/12,600 gals.	•	•	•	•	
<b>10" Cartridges</b>							
EQ-TL-1	(1) 30331.1001	1.5 gpm/4,800 gals.	•	•	•	•	
Case	(12) 30331.0001						
EQ-T-1	(1) 30331.1002	1.5 gpm/4,800 gals.	•	•		•	
Case	(12) 30331.0002						
EQ-L-1	(1) 30331.1003	.75 gpm/NA			•	•	
Case	(12) 30331.0003						
EQ-H-1	(1) 30331.1004	.5 gpm/900 grains <sup>†</sup>			•	•	•
Case	(12) 30331.0004						
<b>14" Cartridges</b>							
EQ-TL-2	(1) 30332.1001	1.67 gpm/12,600 gals.	•	•	•	•	
Case	(4) 30332.0001						
EQ-T-2	(1) 30332.1002	1.67 gpm/12,600 gals.	•	•		•	
Case	(4) 30332.0002						
EQ-H-2	(1) 30332.1004	.5 gpm/1350 grains <sup>†</sup>			•	•	•
Case	(4) 30332.0004						
<b>Manifolds</b>							
EQ-10	(1) 30321.1000	NA					
EQ-21	(1) 30369.1000	NA					
EQ-22	(1) 30325.1000	NA					
EQ-32	(1) 30329.1000	NA					

<sup>†</sup> To figure gallon capacity for an EQ-H-1 & 2 use the following formula: Grain capacity of cartridge ÷ water hardness (in grains) = gallons treated.

Note: EQ models includes inlet and outlet valves with 3/8" female pipe threading plus mounting bracket.



### Applications For EQ Systems

- TL** Sediment, Taste/Odor & Lime Scale
- T** Taste & Odor (Carbon)
- L** Lime Scale (Scale Inhibitor)
- H** Hardness Treatment (Water Softener)
- S** Sediment Filtration