

Features

Drop-In 10" (ED-11) & 20" (ED-12) Water Quality Systems

- Provides 4,500 gallons @ .75 gpm (10") or 9,000 gallons @ 1.5 gpm (20") for superior sediment, taste/odor and chlorine reduction.
- Perfect for beverage systems with a medium sized brewer (up to 50 lbs. of coffee/week).
- Effective 10 micron graded density filtration.
- Provides six months of scale reduction and protects equipment from corrosion.
- Has easy water shut-off valve built into manifold, plus the clear housing makes it easy to see cartridges.
- Designed for minimum purge after cartridge charge.
- Single purpose cartridges also available for treatment of problems with taste and odor (T), lime scale (L), hardness (H) and sediment filtration (S).
- System Tested and Certified by NSF International against ANSI/NSF Standard 42 for the reduction of sediment, taste/odor, and chlorine.



Model ED-11-TL or ED-12-TL
Water Quality Systems

ITEM#

PROJECT

DATE

Model

*ED-11-TL or
ED-12-TL Water
Quality System*

Related Products

For current specification sheets and other information, go to www.bunnomatic.com.

Warranty: BUNN warrants the Easy Clear® hardware (excluding cartridges) to be free from defects in materials and workmanship for 1 year from the date of installation. See service manual for complete warranty statement.

Gauge Kit for Drop-In systems
Product No. : 30236.1001

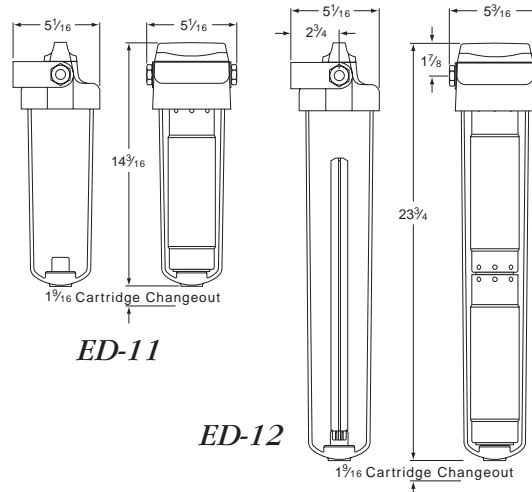


Wrench for Drop-In systems
Product No. : 30061.0000

Alignment Post
Product No. : 29559.0000



ED-CON-2 Connector
Product No. : 30232.1000



ED-11

ED-12

BUNN®

Corporate Offices
1400 Stevenson Drive
Springfield, Illinois 62703
Phone
800-637-8606
217-529-6601
Fax
217-529-6644
Technical Services
800-286-6070
Internet
<http://www.bunnomatic.com>

Western Regional Office
16431 Carmenita Road,
Cerritos, California 90701
Phone
562-926-0764
Fax
562-926-0858

Canadian Office
280 Industrial Parkway South
Aurora, Ontario, L4G 3T9
Phone
905-841-2866
Fax
905-841-2775

BUNN® practices continuous product research and improvement. We reserve the right to change specifications and product design without notice. Such revisions do not entitle the buyer to corresponding changes, improvements, additions or replacements for previously purchased equipment.

**Patents
Apply**



Dimensions & Specifications

Model	Product #	Flow Rate & Capacity	Replaces	Chlorine	Taste	Scale	Sediment
Multipurpose Systems							
ED-11-TL	30244.1001	.75 gpm/4,500 gals.	110-CP	•	•	•	•
ED-12-TL	30245.1001	1.5 gpm/9,000 gals.	120-CP	•	•	•	•
10" Cartridges							
ED-TL-1	(1) 30231.1001	.75 gpm/4,500 gals.	CP-10	•	•	•	•
Case	(36) 30231.0001						
ED-T-1	(1) 30231.1002	.75 gpm/4,500 gals.	C-10	•	•		•
Case	(36) 30231.0002						
ED-L-1	(1) 30231.1003	3.0 gpm/NA	P12-10			•	•
Case	(12) 30231.0003						
ED-H-1	(1) 30231.1004	.5 gpm/800 grains [†]	WS-10			•	•
Case	(12) 30231.0004						
ED-S-1	(1) 30231.1005	6.0 gpm/NA	S5-10			•	•
Case	(36) 30231.0005						
20" Cartridges							
20" CARTRIDGES INCLUDE TWO ED-TL-1 CARTRIDGES CONNECTED WITH ONE ED-CON-2 CONNECTOR							
ED-TL-2	(1) 30232.1001	1.5 gpm/9,000 gals.	CP-20	•	•	•	•
Case- Connect 2 ED-TL-1 with 1-ED-CON-2	(36) 30231.0001 (6) 30232.0000						
ED-T-2	(1) 30232.1002	1.5 gpm/9,000 gals.	C-20	•	•		•
Case- Connect 2 ED-T-1 with 1-ED-CON-2	(36) 30231.0002 (6) 30232.0000						
ED-H-2	(1) 30232.1004	.5 gpm/1,600 grains [†]	WS-20			•	•
Case- Connect 2 ED-H-1 with 1-ED-CON-2	(12) 30231.0004 (6) 30232.0000						
ED-S-2	(1) 30232.1005	12.0 gpm/NA	n/a				•
S5-20* Case-	(15) 30032.0002	12.0 gpm/NA	S5-20*				•
Manifolds & Housing(s)							
ED-11	(1) 30221.1000	NA	110				
ED-12	(1) 30222.1000	NA	120				
ED-21	(1) 30269.1000	NA	210				
ED-22	(1) 30225.1000	NA	222				

[†] To figure gallon capacity for an ED-H-1 & 2 use the following formula:
Grain capacity of cartridge ÷ water hardness (in grains) = gallons treated.

* Does not fit in new ED_-2 manifolds

Note: ED models include inlet and outlet valves with 3/8" female pipe threading.

Applications For ED Systems

TL	Sediment, Taste/Odor & Lime Scale
T	Taste & Odor (Carbon)
L	Lime Scale (Scale Inhibitor)
H	Hardness Treatment (Water Softener)
S	Sediment Filtration