

Features

Pourover Coffee Brewer

- Brews 3.8 gallons of perfect coffee per hour.
- Pourover brewer requires no plumbing – completely portable.
- All stainless steel construction.
- Stainless steel or black decor.
- Three warmers.
- SplashGard® funnel deflects hot liquids away from the hand.
- International electrical configurations available.



Model VP17-3*
(decanters
not included)

Dimensions:
18.9" H x 8" W x 17.7" D



Model VP17-3*
(decanters not included)

Dimensions:
17.8" H x 16" W x 17.7" D

* International models may vary in appearance.

Related Products

For current specification sheets and other information, go to www.bunnomatic.com.

BUNN recommends the use of our paper filters to assure perfect taste. Our paper filters are naturally biodegradable. Made from 100% pure virgin fiber, they assure proper porosity, flow rate, and paper structure for absolute brewing consistency.

Easy Pour® black decanter

Product No. : 06100.0101

Quantity: 1 (also packaged in quantities of 2, 3, 6, 12, & 24)

Easy Pour® orange decanter (for decaf)

Product No. : 06101.0101

Quantity: 1 (also packaged in quantities of 2, 3, 6, 12, & 24)



Paper Filter Pack

Product No. : 20115.0000

Packed per case: 1,000

Dimensions: 4¼" Base x 2¾" Sidewall

10.8 cm Base x 6.98 cm Sidewall



WL1-Low profile warmer

Product No. : 11401.0001

One position warmer

120 Volt



WL2-Low profile warmer

Product No. : 11402.0001

Two position warmer

120 Volt



WX2-warmer

Product No. : 06310.0004

2½" H x 14" W x 7" D

6.35 cm H x 35.56 cm W x 17.78 cm D

Two position warmer - 120 Volt

- International model may vary in appearance.



BUNN® practices continuous product research and improvement. We reserve the right to change specifications and product design without notice. Such revisions do not entitle the buyer to corresponding changes, improvements, additions or replacements for previously purchased equipment.

ITEM#

PROJECT

DATE

**International
Model**

VP17A-3

Model

VP17-3 SST
VP17-3 BLK

BUNN®

Corporate Offices

1400 Stevenson Drive
Springfield, Illinois 62703

Phone

800-637-8606

217-529-6601

Fax

217-529-6644

Technical Services

800-286-6070

Internet

<http://www.bunnomatic.com>

Western Regional Office

16431 Carmenita Road,
Cerritos, California 90701

Phone

562-926-0764

Fax

562-926-0858

Canadian Office

280 Industrial Parkway South
Aurora, Ontario, L4G 3T9

Phone

905-841-2866

Fax

905-841-2775

Patents
Apply

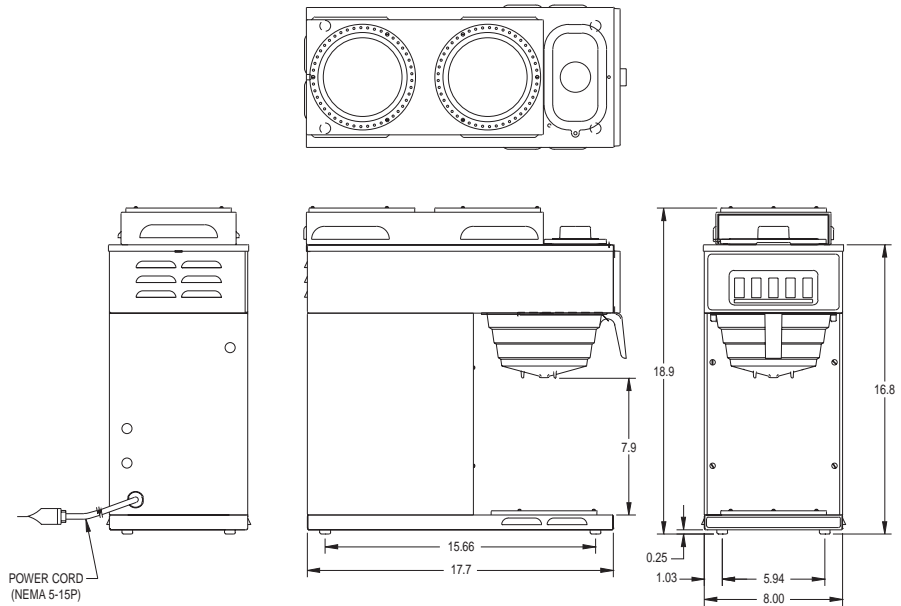


Dimensions & Specifications

Model	Product #	Volts	Amps	Tank Heater Watts	Total Watts	Brewing Capacity	Cu. Ft.	Shipping Weight	Cord Attached
VP17-3 SS (3 lower)	13300.0003	120	13.9	1320	1670	3.9 gal./hr.	6.2	29 lbs. (13.2 kg)	Yes
VP17-3 BLK (3 lower)	13300.0013	120	13.9	1320	1670	3.9 gal./hr.	6.2	27 lbs. (12.3 kg)	Yes
VP17-3 SS (2 upper)	13300.0004	120	13.9	1320	1670	3.9 gal./hr.	6.2	25 lbs. (11.4 kg)	Yes

Electrical: Models require 2-wires plus ground service rated 120V, single phase, 60 Hz.

Plumbing: No plumbing needed.



3 LOWER WARMERS ▼

▲ 2 UPPER WARMERS

