

## Features

### 5 Gallon Hot Water Machine

- Dispenses up to 18 gallons of boiling water (H5X) per hour for food prep and cleaning.
- Precise temperature (72°-212°F) ensures consistent, high quality results.
- Locate hot water at preparation site to increase speed, safety and efficiency of kitchen staff.
- Prepare large amounts of mashed potatoes, gravy, cheese sauce, gelatin, oatmeal, & many more foods.
- International electrical configurations available.

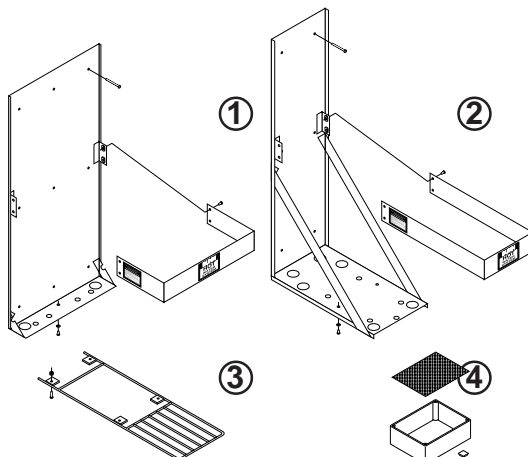


Model H5X\*

Dimensions: 28.5"H x 7.3"W x 17.5"D

\* International models may vary in appearance.

## Related Products



**1. Wall Mount Bracket (side)**  
 Product No. : 12542.0000  
 Dimensions:  
 30" H x 13½" W x 4½" D  
 76.2 cm H x 34.29 cm W x 11.43 cm D

**2. Wall Mount Bracket (front)**  
 Product No. : 13125.0001  
 Dimensions:  
 30½" H x 8½" W x 15¼" D  
 77.47 cm H x 21.59 cm W x 38.74 cm D

**3. Container Holding Shelf**  
 Product No. : 12599.0000  
 Dimensions: 6¾" W x 21" D  
 17.15 cm W x 53.34 cm D

**4. Drip Tray**  
 Product No. : 02497.0000

For available variations to some BUNN products, please contact your BUNN sales representative.

BUNN recommends the use of our Easy Clear® Water Quality Systems to assure perfect taste.

**Easy Clear® EQ-11-TL**  
 Product No. : 30344.1001  
 Dimensions:  
 15⅞" H x 3⅞" W x 4⅞" D  
 40.32 cm H x 9.21 cm W x 11.51 cm D

**Easy Clear® ED-11-TL**  
 Product No. : 30244.1001  
 Dimensions:  
 14⅜" H x 5⅞" W x 5⅞" D  
 31.0 cm H x 12.86 cm W x 12.86 cm D



ITEM#

PROJECT

DATE

**International Model**

H5MA

**Model**

H5E  
 H5X

## BUNN®

**Corporate Offices**  
 1400 Stevenson Drive  
 Springfield, Illinois 62703  
**Phone**  
 800-637-8606  
 217-529-6601  
**Fax**  
 217-529-6644  
**Technical Services**  
 800-286-6070  
**Internet**  
<http://www.bunnomatic.com>

**Western Regional Office**  
 16431 Carmenita Road,  
 Cerritos, California 90701  
**Phone**  
 562-926-0764  
**Fax**  
 562-926-0858

**Canadian Office**  
 280 Industrial Parkway South  
 Aurora, Ontario, L4G 3T9  
**Phone**  
 905-841-2866  
**Fax**  
 905-841-2775

Patents Apply



BUNN® practices continuous product research and improvement. We reserve the right to change specifications and product design without notice. Such revisions do not entitle the buyer to corresponding changes, improvements, additions or replacements for previously purchased equipment.

## Dimensions & Specifications

Model	Product #	Volts	Amps	Tank Heater Watts	Total Watts	°F Settings	Gal./Hr. cold water input 35°	Gal./Hr. hot water input 140°	Cu. Ft.	Shipping Weight	Cord Attached
H5E-18-120	12500.0020	120	15.21	1800	1825	85/115			4.1	32 lbs. (14.1 kg)	No
H5E-18-120	12500.0033	120	15.21	1800	1825	72	Varies with application		4.1	32 lbs. (14.1 kg)	No
H5E-40-208	12500.0025	208	19.35	4000	4025	200			4.1	32 lbs. (14.1 kg)	No
H5X-40-240	12500.0026	240	16.7	4000	4025	212	7.3	14.7	4.1	32 lbs. (14.1 kg)	No
H5X-40-208	12500.0027	208	19.2	4000	4025	212	7.3	14.7	4.1	32 lbs. (14.1 kg)	No
H5X-18-120	12500.0028	120	15.21	1800	1825	212	3.7	8.1	4.0	32 lbs. (14.1 kg)	No
H5X-60-240	12500.0031	240	25.0	6000	6025	212	9.9	18.6	4.1	32 lbs. (14.1 kg)	No
H5X-60-208	12500.0032	208	28.7	6000	6025	212	9.9	18.6	4.1	33 lbs. (15.0 kg)	No
H5M-18-120	12500.0046	120	15.21	1800	1825	200	3.7	8.1	4.1	44 lbs. (20.0 kg)	No

Electrical: All models require 2-wires plus ground service, single-phase. Supplied strain relief on rear side of machine.

Plumbing: 20-90 psi (138-621 kPa). Machine supplied with 1/4" (6.3 mm) OD male flare fitting.

